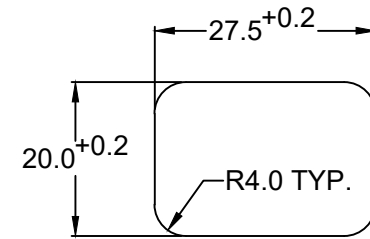
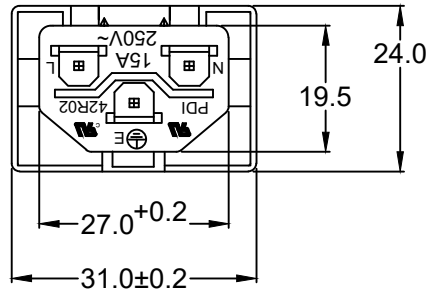


**MATERIAL AND FINISH:**

Insulator: Polycarbonate, UL-94V-0 rated  
 Contacts: Brass, Tin plated over Nickel

**ELECTRICAL SPECIFICATIONS:**

Current rating: 10 A  
 Voltage rating: 250 VAC  
 Current rating: 15 A  
 Voltage rating: 250 VAC



RECOMMENDED  
 PANEL CUTOUT

**ORDERING CODE:**

42R02-3            

**1 = TERMINAL OPTIONS**

- 1 = .187(4.8)
- 2 = .250(6.3)

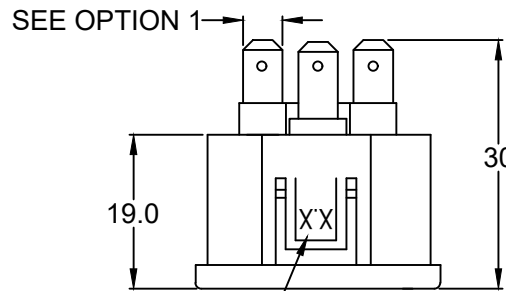
**2 = COLOR**

- 1 = BLACK
- 2 = GRAY
- 3 = WHITE

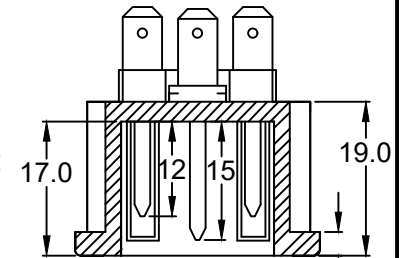
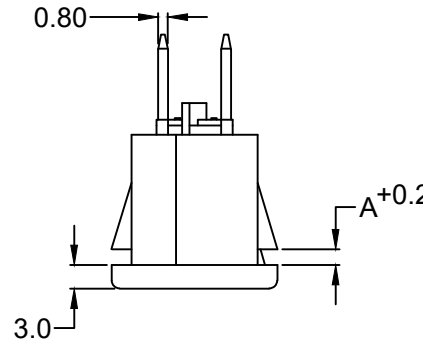
**3 = ELECTRICAL CIRCUIT CONFIGURATION**

- 1 = 15A 250V 120°C 2+GROUND
- 2 = 15A 250V 70°C 2+GROUND
- 4 = 15A 250V 70°C 2 POLE

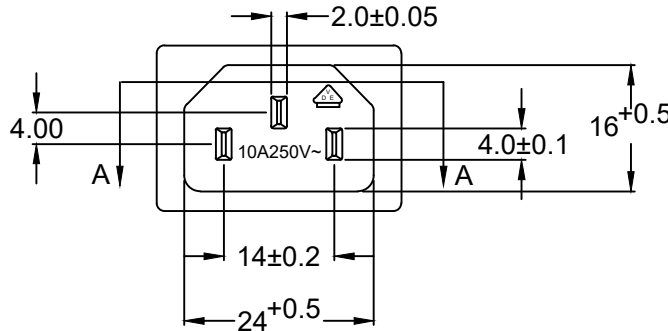
**4 = PANEL THICKNESS**



REPLACE WITH  
 CORRESPONDING  
 PANEL THICKNESS



SECTION A-A



P/N	A	MAX. PANEL THICKNESS
42R02-3XXX-100	1.0	1.0
42R02-3XXX-150	1.5	1.5
42R02-3XXX-200	2.0	2.0
42R02-3XXX-250	2.5	2.5
42R02-3XXX-300	3.0	3.0

ADDITIONAL PANEL THICKNESS  
 AVAILABLE ON REQUEST

REV	DATE	CHANGE	CHNG			CHK			APPR			
			TD	PB		TD	PB		TD	PB		
A	9/02/04	REVISED & UPDATED										
B	3/3/09	ADD 1.0mm SNAP IN TAB										
C	8/27/10	UPDATED APPROVALS										
D	8/31/20	ADD WHITE OPTION										
E	7/20/21	ADD 3.0 PANEL OPTION										
F	5/2/24	REV. TERMINAL PLATING										

**RoHS  
 COMPLIANT**

TOLERANCE UNLESS OTHERWISE SPECIFIED		
X	±	1
X.X	±	0.4
X.XX	±	0.20

DRAWN BY	GQ	DATE:	8/2/01
CHECK BY	TD	DATE:	08/14/01
APPR BY	PB	DATE:	08/14/01

**Power Dynamics, Inc.**  
 Phone: 973 560-0019 Whippany, New Jersey Fax: 973 560-0076

PART: IEC 60320 CONNECTOR; QUICK  
 CONNECT INLET; SNAP-IN

**42R02-3XXX-XXX**

PART #: 42R02-3XXX-XXX SHEET 1 of 1

SIZE: A SCALE: NTS ALL DIMENSIONS FOR REFERENCE ONLY  
 DIMENSIONS ARE IN MILLIMETERS REV: F